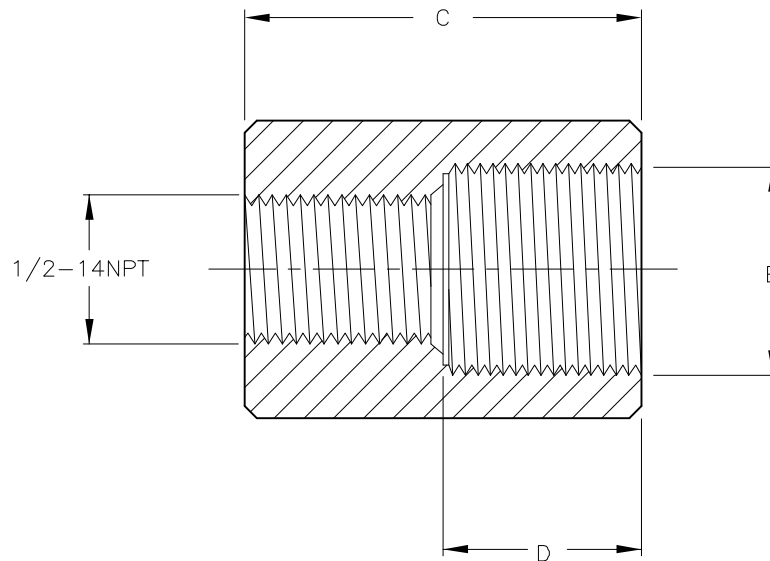
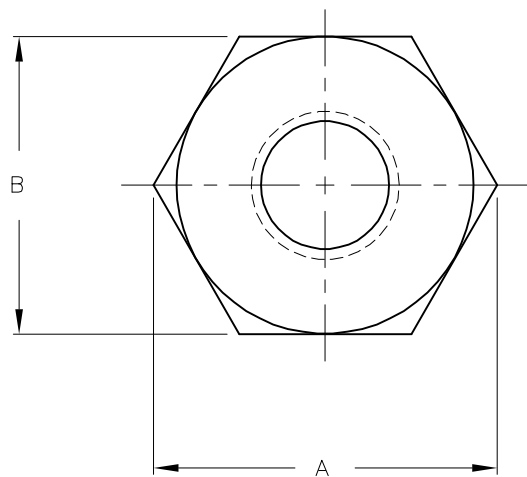


DESCRIPTION OF TABULATION

PART NO.	ID NO.	DIMENSIONS					M30x1.5-6H
		A	B	C	D	E	
TMF 30-G	A3345	$\frac{1.73"}{44.0}$	$\frac{1.50"}{38.1}$	$\frac{1.00"}{25.4}$	$\frac{.40"}{10.2}$		



SOURCE DRAWING - FOR REFERENCE ONLY

NOTES:

- CONDUIT ADAPTERS FOR USE WITH G AND P STYLE BARREL SENSORS.

RELATED DOCUMENTS 1. 2. 3. 4.	3RD ANGLE PROJECTION 	THIS DRAWING IS CONFIDENTIAL AND THE PROPERTY OF TURCK INC. USE OF THIS DOCUMENT WITHOUT WRITTEN PERMISSION IS PROHIBITED.	3000 CAMPUS DRIVE MINNEAPOLIS, MN 55441 1-800-544-7769 (763) 553-7300 (763) 553-0708 fax www.turck.us
	MATERIAL ALUMINUM	DRFT GMB DATE 1/21/88	DESCRIPTION TMF 30-G
	FINISH CLEAR IRRIDITE	APVD SCALE NONE	IDENTIFICATION NO. A3345
	ALL DIMENSIONS DISPLAYED ON THIS DRAWING ARE FOR REFERENCE ONLY CONTACT TURCK FOR MORE INFORMATION	UNIT OF MEASUREMENT INCH [MILLIMETER] DO NOT SCALE THIS DRAWING	REV G
G UPDATE KB 05/05/25 81176	REV DESCRIPTION BY DATE ECO NO.	FILE: A3345	SHEET 1 OF 1